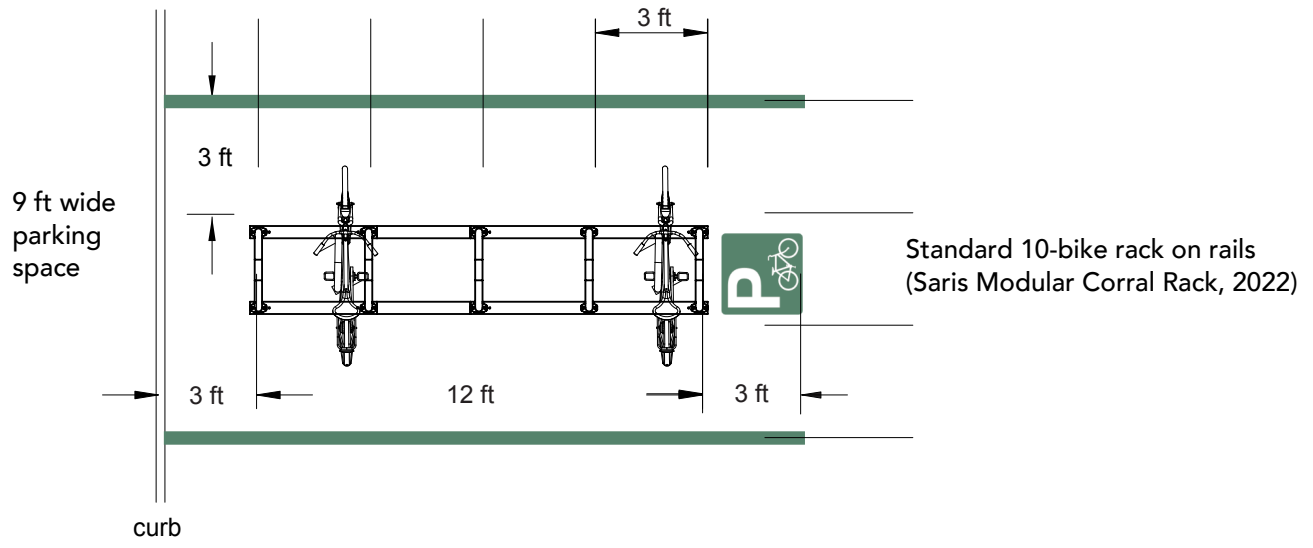


Bike Rack Layout – Parking Lot

Parking Lot Space

Typical 18 ft x 9 ft parking space



Layout Tips

1. Locate the rack in the parking space closest to the building entrance
2. On sloped surfaces, use an angled rack configuration to keep bikes from rolling away or falling over
3. Remove any parking stops from the spaces
4. For multiple racks, locate them in adjacent parking spaces rather than spreading them out
5. Use green pavement markings to make it clear that the space is for bicycles
6. Considering including a designated accessible space for disabled bicyclists
7. Install signage appropriate to the location – Public, Tenant Only, or Customers Only signs will help visitors know if they can use the rack.

Sample signage & Pavement marking

